



Company Overview

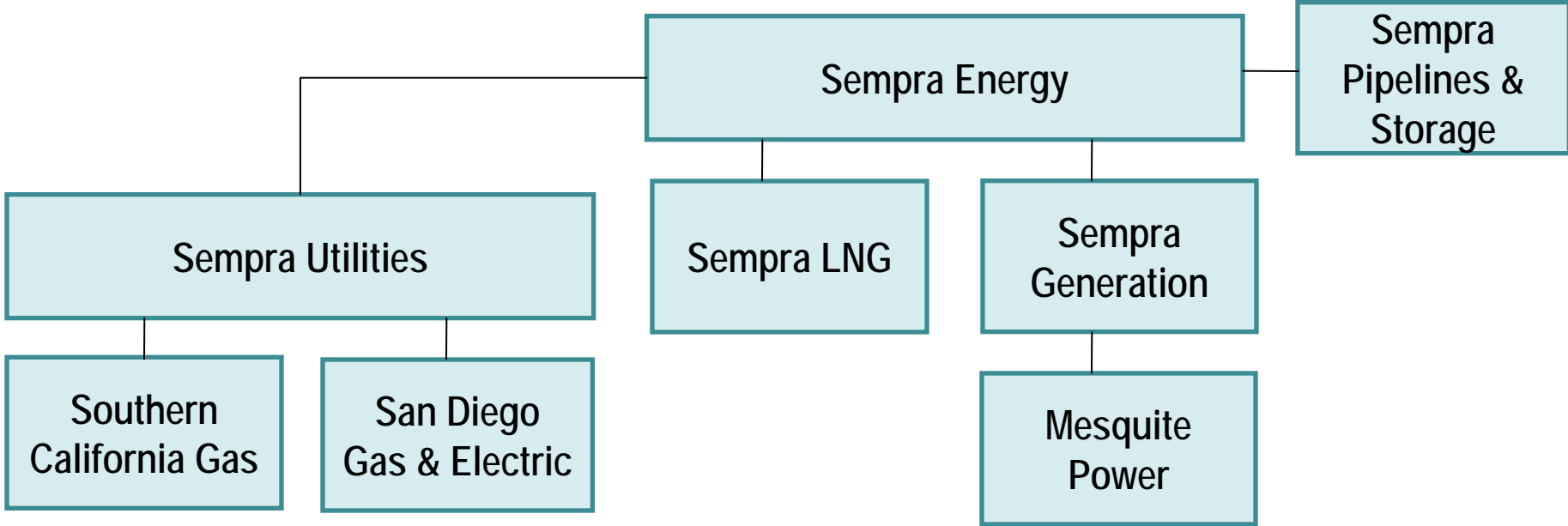


Mesquite Power

A SEMPRA ENERGY COMPANY



Company Structure



MesquitePower

A SEMpra ENERGY COMPANY



Sempra Energy Facts

Sempra has over 14,000 Employees

Fortune 500 Company

Sempra is over 100 years old

Global Presence



MesquitePower

A SEMPRA ENERGY COMPANY



Sempra Generation Facts

Owns/Operates 3 Natural Gas Power Plants

2,100 MW's of Capacity

Locations: Arizona–Nevada-Mexico

Sell Electricity to the Wholesale Market



MesquitePower

A SEMpra ENERGY COMPANY

Mesquite Power





Mesquite Power Facts

Located 50 miles west of Phoenix

Built at a cost of \$680 million dollars

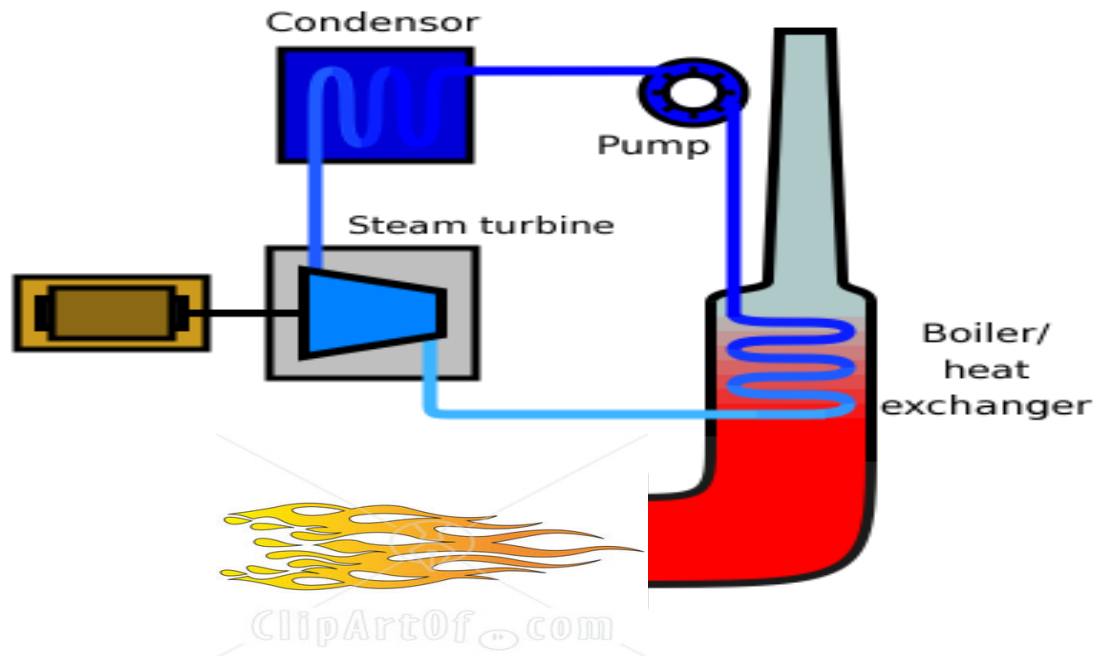
First Commercial Operation was November 2003

Plant is capable of providing 1,250 MW's



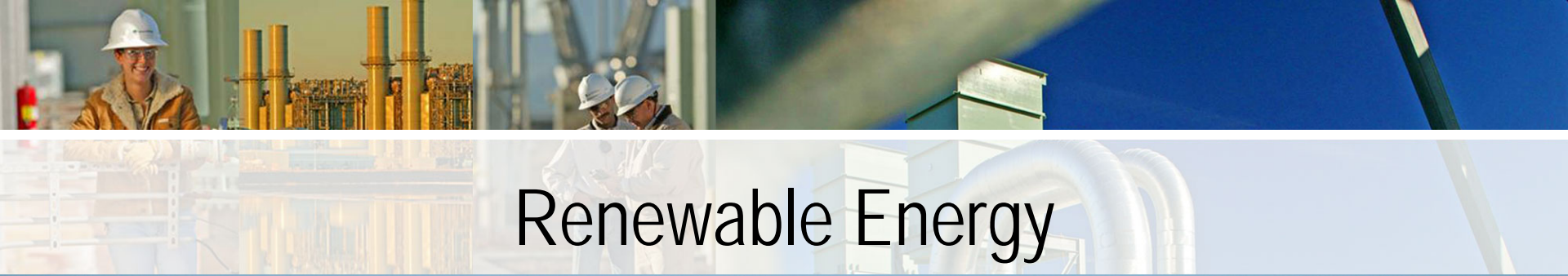
Mesquite Power Facts

45% more efficient than standard gas plants



MesquitePower

A SEMPRA ENERGY COMPANY



Renewable Energy





Projects

Cedar Creek Wind Farm

Copper Mountain Solar

Maui Wind Farm

Mesquite Solar

16 Additional Projects under Consideration



MesquitePower

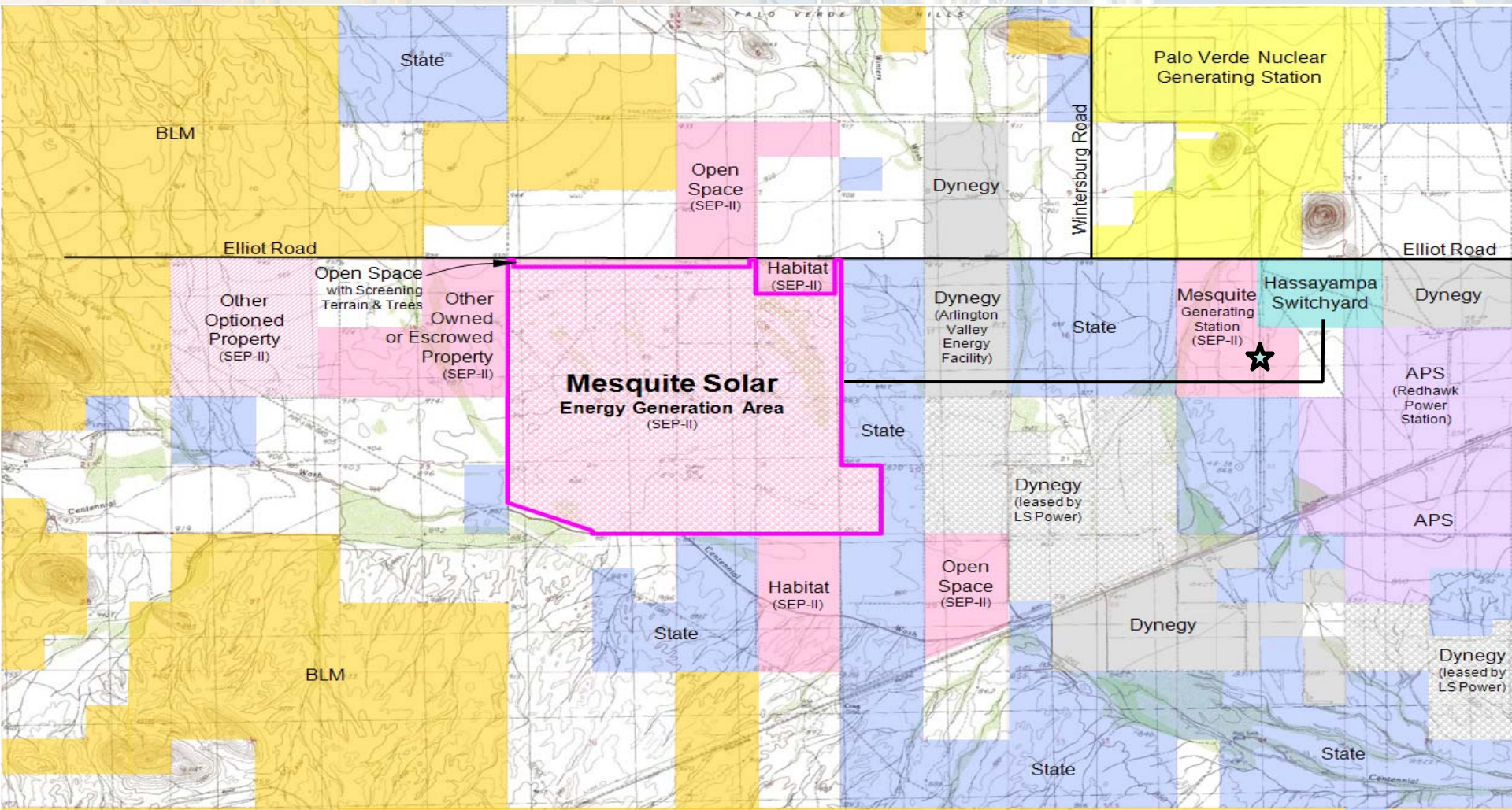
A SEMPR ENERGY COMPANY

Mesquite Solar





Mesquite Solar Location





Mesquite Solar Facts

Phase 1 Estimated Cost \$500 Million

First Commercial Operation Scheduled for Dec. 2011

Peak Power Output 700 Million Watts

Land Use up to 6000 Acres

Over 3 Million Solar Panels



MesquitePower

A SEMPR ENERGY COMPANY